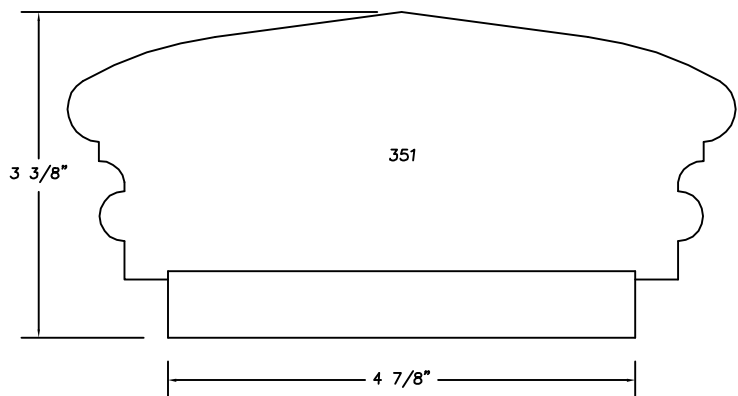
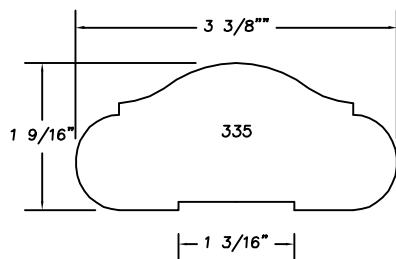
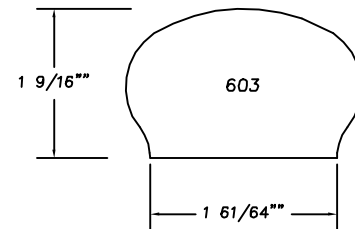
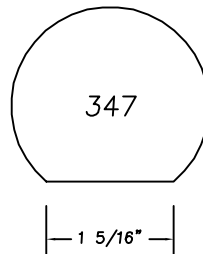
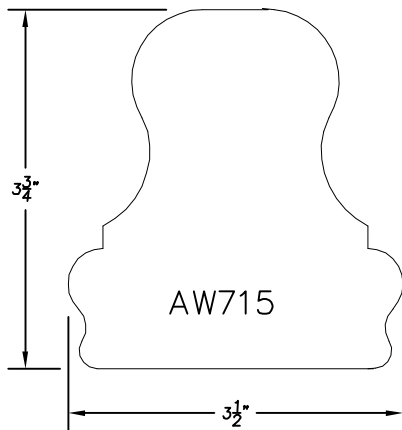
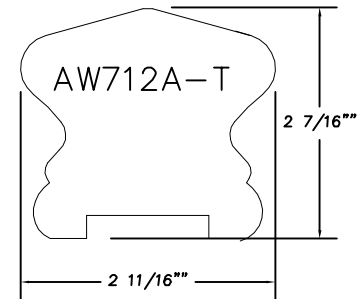
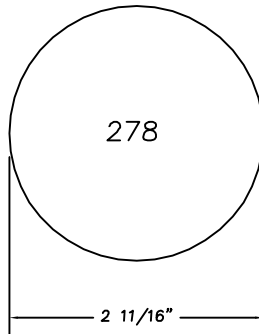
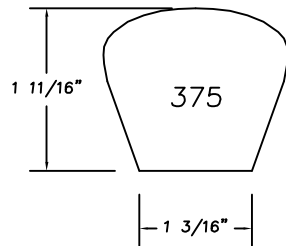
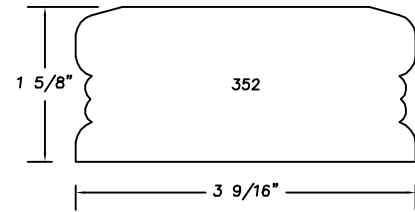
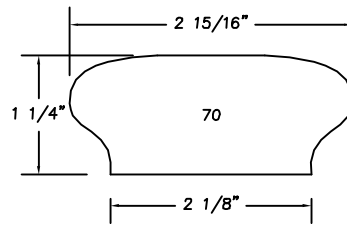
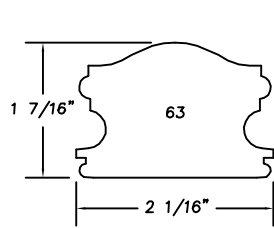


# ARCHITECTURAL WOODWORKING

P.O. BOX 395 BARRE, VERMONT 05641

PH: 802-479-7200 FAX: 802-479-7201 TOLL FREE: 1-800-281-5824



## HAND RAIL COLLECTION

NOT TO SCALE

WEBSITE : [www.architecturalwoodworking.info](http://www.architecturalwoodworking.info)

EMAIL : [aw05602@myfairpoint.net](mailto:aw05602@myfairpoint.net)